



# Improved online functionality Times Are Changing

## Newsletter for ICPs and IDNOs

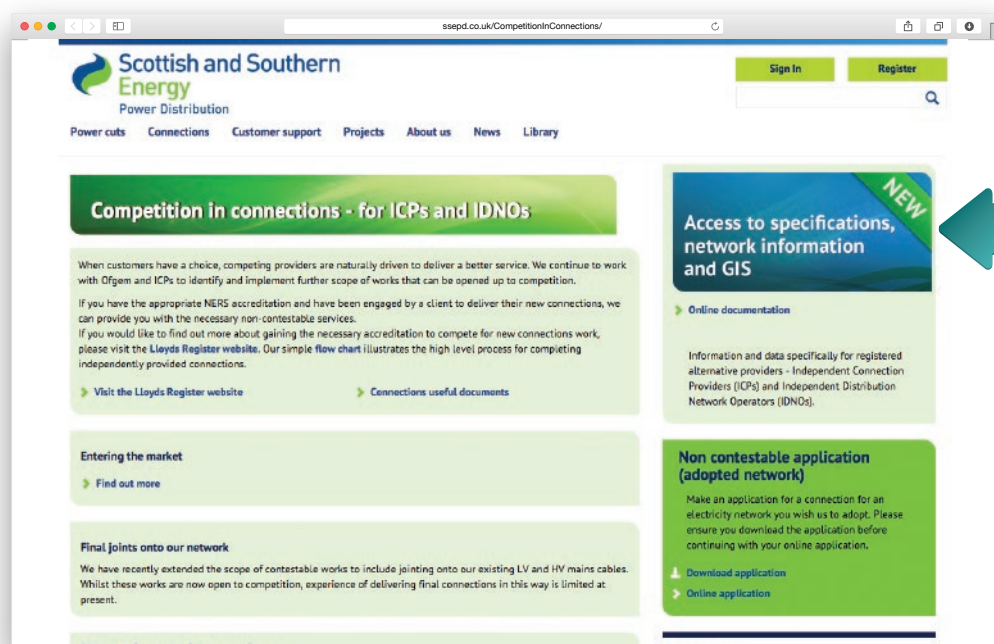
We're excited to publish our first Newsletter for Independent Connection Providers and Network Operators making you aware of the progress and improvements made.

As part of our overall connection strategy we are focussed on continuously improving the service you receive from us. To support this we have been working hard on delivering a modernised platform for information provision, improved accessibility to documents and the ability to keep you up to date with ongoing policy changes and web site functions.

The following Newsletter will inform you of the type of information available and where to find it:

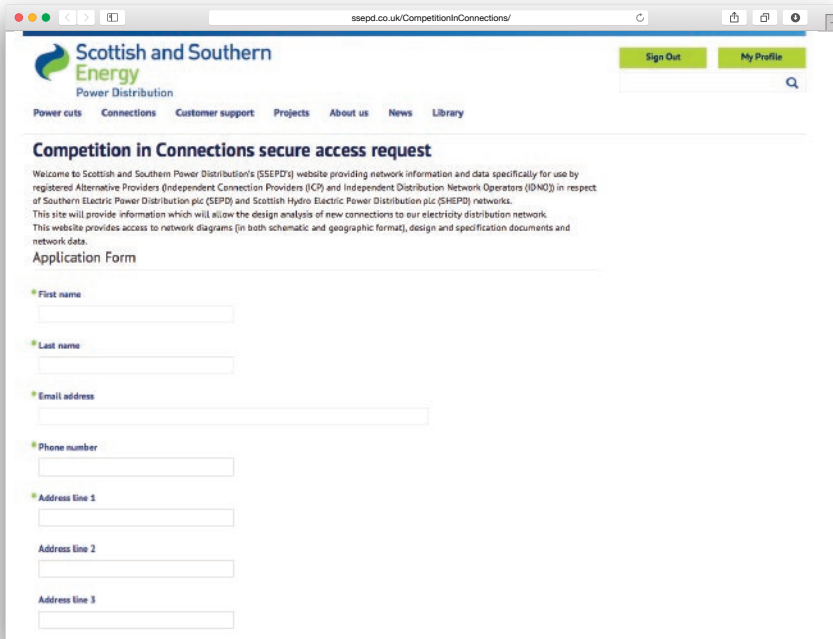
- Modernised and more accessible way to view all related Design & Specification Documents
- Enhanced Geographical Information System (GIS) access and
- High Voltage Network Information (including loading data.)

Start your journey here: <https://www.ssep.co.uk/CompetitionInConnections/>

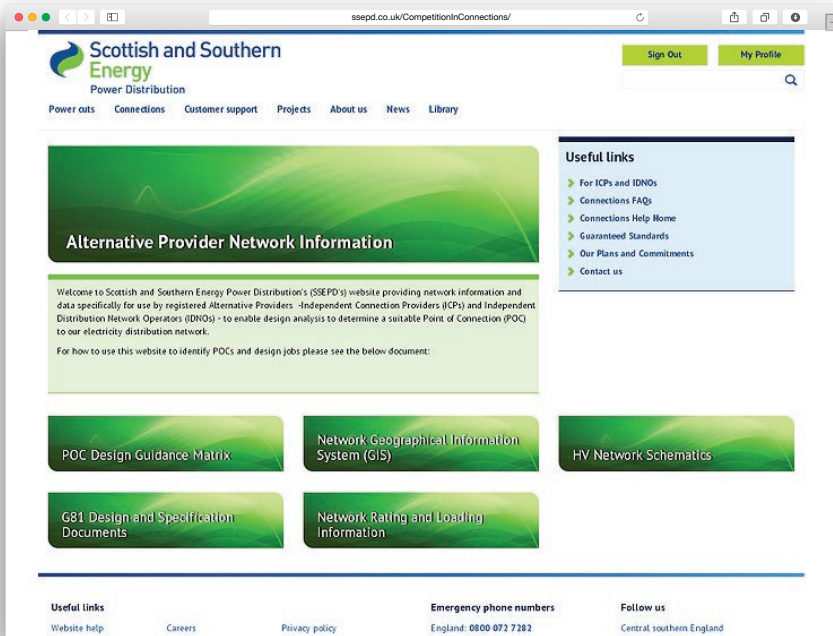


Click Here

To ensure your security and the security of our network information you will need to register for access. This also gives us the opportunity to keep you informed of relevant documentation, website and policy updates and changes.



Once registered we will provide you with an Approved Access login. After receiving the login details you can access the new web page and all its functionalities.



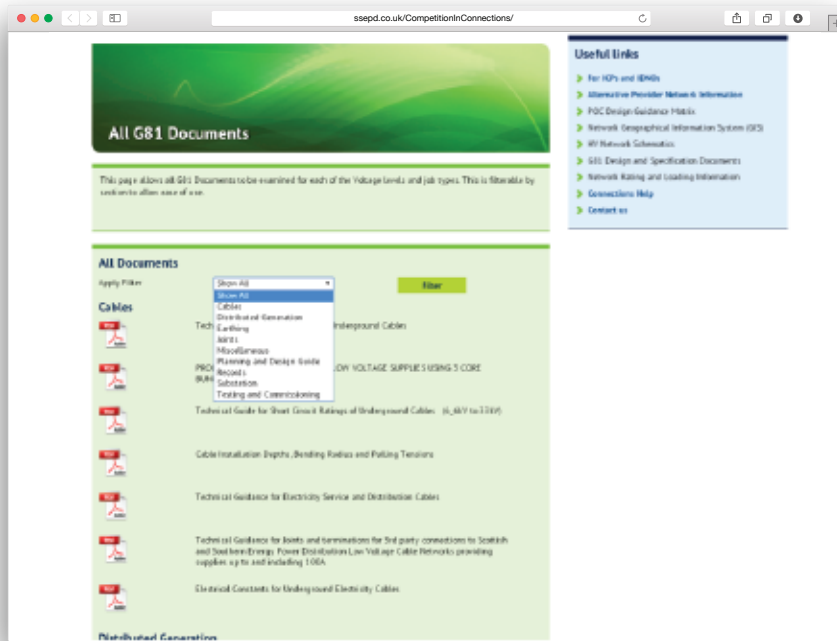
## Alternative Provider Network Information Landing Page:

Designed solely for ICP/IDNO offering a greater range of documents and design tools.



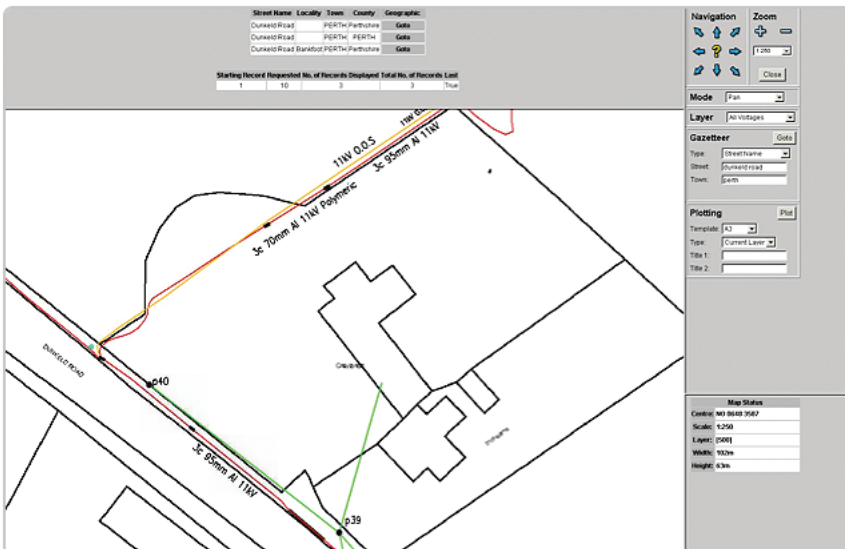
## 1. Modernised and more accessible Design and Specification Documents:

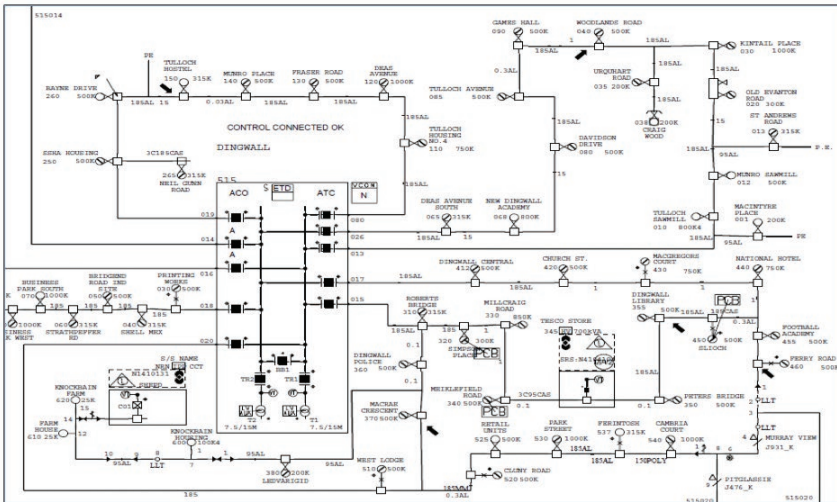
This new library will hold all documents specific for ICP's. It will also offer the opportunity for us to keep you updated with any changes in Policy or possible changes by emailing out documents for consultation.



## 2. Enhanced GIS access:

This function is completely new and offers an improved level of detail into the geographical and electrical aspects for all voltage levels for both our operating areas.





### 3. HV Network Information (including loading data.)

Within these network schematics you can locate specific parts of the circuit for further study.

If you would like to provide feedback on this newsletter please email [connectionsfeedback@sse.com](mailto:connectionsfeedback@sse.com)

You can be kept up to date with SSEPD by following us on

 LinkedIn: Search 'SSEPD Connections engagement'

 Twitter: (Scotland) [twitter.com/hydropd](https://twitter.com/hydropd) | (South) [twitter.com/southernelecpd](https://twitter.com/southernelecpd)

 Facebook: (Scotland) [facebook.com/hydropd](https://facebook.com/hydropd) | (South) [facebook.com/southernelecpd](https://facebook.com/southernelecpd)

[www.ssepd.co.uk/connections](http://www.ssepd.co.uk/connections)

Scottish and Southern Energy Power Distribution Limited is registered in Scotland, Number SC213459

Registered office: Inveralmond House, 200 Dunkeld Road, Perth, PH1 3AQ